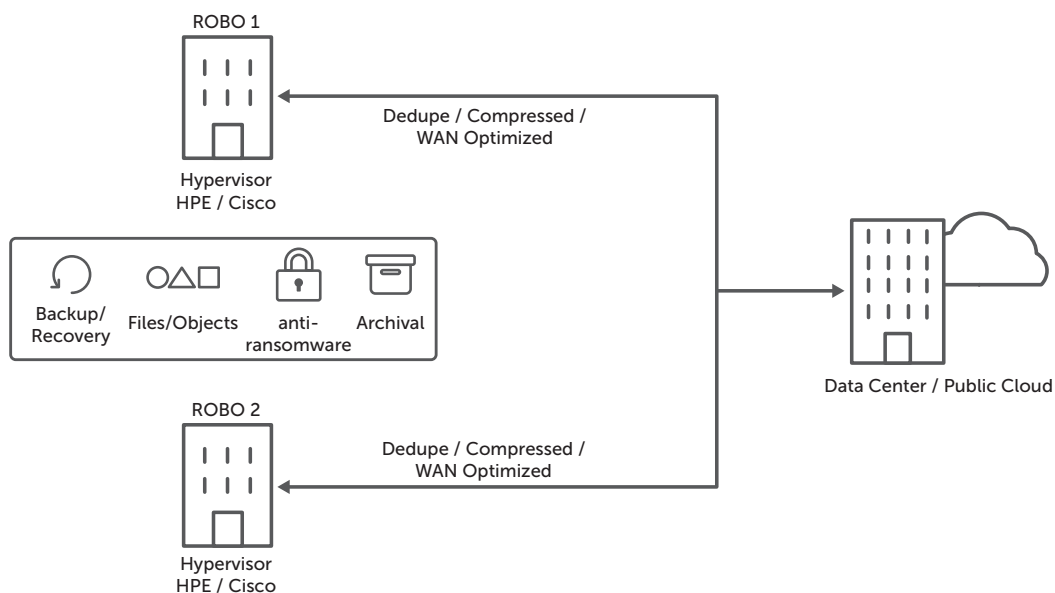


# Cohesity DataPlatform for Edge

*Software-defined data management and protection for remote office and branch office locations*

Cohesity DataPlatform for Edge dramatically simplifies data management and protection in the remote and branch office locations by consolidating backup, recovery, file services and object storage on a single software-defined solution, managed through a global user interface. The solution offers enterprise-class capabilities, similar to the core and can be deployed on leading hypervisors (VMware vSphere, Microsoft Hyper-V, Nutanix AHV, RHEL) and on certified HPE and Cisco 1U1N servers. Cohesity DataPlatform for Edge allows easy, policy-based data mobility to the core and leading public cloud providers for long term archival, replication and tiering.



## Core Power for the Edge

Branch offices have the same needs as core data centers, yet limited IT resources. Cohesity DataPlatform for Edge offers the same enterprise-class data management capabilities as the core, including immutability against ransomware attacks, global deduplication, compression, encryption, and more for your modern remote and branch office. Meet business SLAs with the simple user interface, API-drive architecture, and policy-driven automation.

## Fast Deployment

DataPlatform for Edge meets all your business requirements with flexible deployment. Run it within your existing vSphere, Hyper-V, Nutanix AHV, RHEL environment or simply plug-n-play on certified HPE and Cisco 1U1N servers.

## Integration with Any Cloud

Built for the cloud, Cohesity DataPlatform for Edge natively communicates with private and leading public clouds—Amazon Web Services (AWS), Microsoft Azure, and Google Cloud Platform—to keep edge data safe while making it productive. The solution easily moves data from the edge to the data center or directly to the public cloud and back to meet business requirements.

Specifications

	VIRTUAL EDITION	APPLIANCE-BASED
Hyperconverged Architecture	<ul style="list-style-type: none"> <li>• Cohesity SpanFS®, a distributed file system</li> <li>• Non-disruptive upgrades</li> <li>• Unlimited, distributed snaps and clones with no performance impact with</li> <li>• Cohesity SnapTree®</li> </ul>	
Multiprotocol Support	<ul style="list-style-type: none"> <li>• Distributed volumes with multiprotocol NFS, SMB, and S3 access</li> <li>• Support for simultaneous sequential and random IO</li> </ul>	
Storage Efficiency	<ul style="list-style-type: none"> <li>• Global deduplication across all nodes, variable length, inline, or post-process</li> <li>• Compression, including Zstandard</li> <li>• Erasure coding 2:1, 4:2, and 5:2, and replication factor</li> </ul>	
Use cases	<ul style="list-style-type: none"> <li>• Backup and recovery • Target storage • Files and object storage • Analytics</li> <li>• Security and compliance • Long-term retention • Disaster recovery</li> </ul>	
Supported Applications	<ul style="list-style-type: none"> <li>• Cohesity DataProtect™</li> <li>• Cohesity Helios™</li> <li>• Native DataPlatform Apps (Pattern Finder, Password Detector, video Compressor)</li> </ul>	<ul style="list-style-type: none"> <li>• Cohesity DataProtect™ (Included)</li> <li>• Cohesity Helios™</li> <li>• Native DataPlatform Apps (Pattern Finder, Password Detector, video Compressor)</li> <li>• Cohesity MarketPlace Apps</li> <li>• Custom Apps</li> </ul>
Global Search	<ul style="list-style-type: none"> <li>• Automated global indexing</li> <li>• Wildcard searches for any VM, file, or object on the platform</li> </ul>	
Supported Configuration	<ul style="list-style-type: none"> <li>• 8TB, 4 vCPUs, 32GB memory</li> <li>• 16TB, 8vCPUs, 64GB memory</li> </ul>	<ul style="list-style-type: none"> <li>• 4TB fixed form factor</li> <li>• 8TB fixed form factor</li> </ul>
Deployment	<p>VMware vSphere (5.1, 5.5, 6.0, 6.5.6.7), Microsoft Hyper-V (2016; AHV Version - Nutanix 20170830.184 and above and AOS Version - 5.10.0.2 LTS and above; RHEL Server 7.6 (KVM) and above with Kernel version 3.10.0-957 and above</p>	<ul style="list-style-type: none"> <li>• HPE DL360 4TB/ 8TB                             <ul style="list-style-type: none"> <li>- CPU Intel 4208 2.1GHz/85W/8C/11MB DDR4 2400MHz</li> <li>- Memory 32GB DDR4 (Qty 2)</li> <li>- HDD: 4TB or 8TB NLSAS HDD(Qty 2)</li> <li>- SSD: 960GB SSD (Qty 2)</li> <li>- SATA M.2 SSD -240GB(Qty 1)</li> <li>- Onboard ports (2x10GbE)</li> </ul> </li> <li>• Cisco UCS C220 4TB/ 8TB                             <ul style="list-style-type: none"> <li>- CPU Intel 3204 1.9GHz/85W 6C/8.25MB DDR4 --- 2133MHz</li> <li>- Memory 32GB DDR4 (Qty 2)</li> <li>- HDD: 4TB OR 8TB NLSAS HDD(Qty 2)</li> <li>- SSD: 960GB SSD (Qty 2)</li> <li>- SATA M.2 SSD -240GB(Qty 1)</li> <li>- Onboard ports (2x10GbE)</li> </ul> </li> </ul>
Public Cloud Integration	<p>Native cloud integration with leading public clouds including AWS, Microsoft Azure, Google Cloud Platform, and any S3 compatible clouds, as well as AWS Govcloud and Microsoft Azure GovCloud</p>	

	VIRTUAL EDITION	APPLIANCE-BASED
<b>Global Management</b>	Cohesity Helios for multi-cluster, global active management, vRealize, ServiceNow	
<b>API Integration</b>	API-first architecture, RESTful API, OpenAPI standard	
<b>Encryption</b>	Software-defined AES-256, FIPS compliant encryption of data in flight and at rest	
<b>Data Mobility</b>	Replication, long term archival and tiering to the data center and leading public cloud providers.	